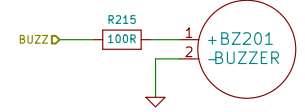
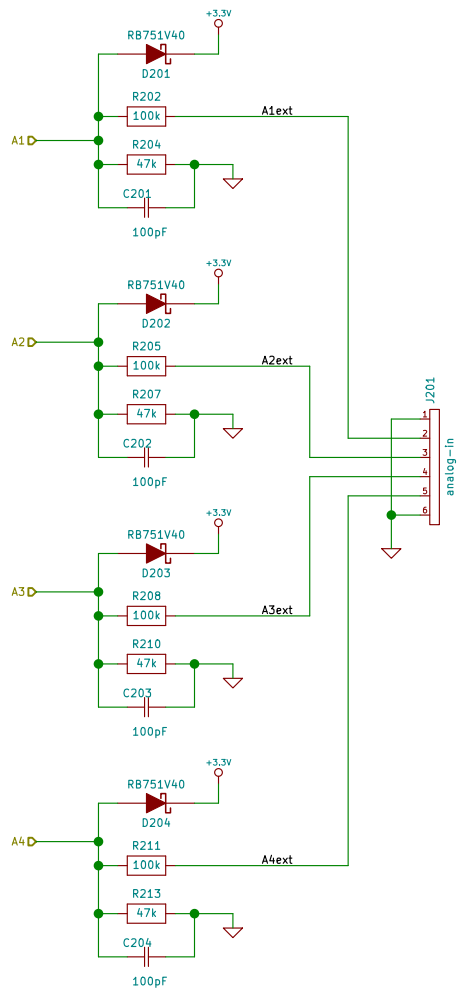
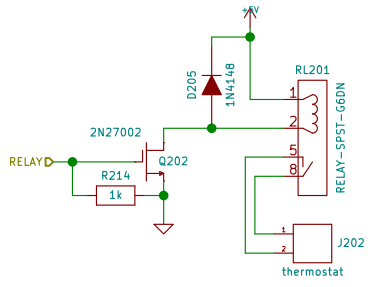
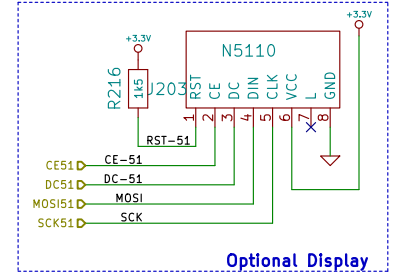
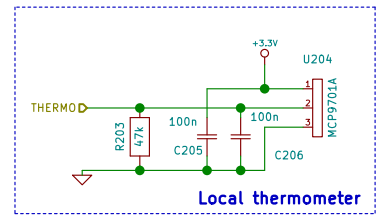
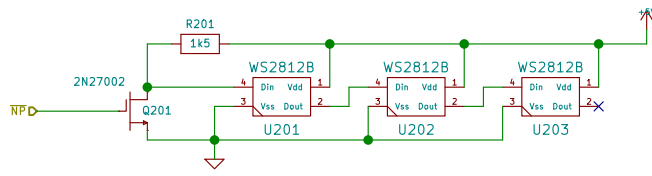


Sheet: /	
File: tdc.sch	
Title:	
Size: A4	Date: 7 mar 2021
KiCad E.D.A. eeschema 4.0.2+dfsg1-stable	Rev:
	Id: 1/2



Sheet: /More I/O/		Date: 7 mar 2021	
File: tdc-extra.sch		Rev:	
Size: A4	KiCad E.D.A. eeschema 4.0.2+dfsg1-stable		Id: 2/2